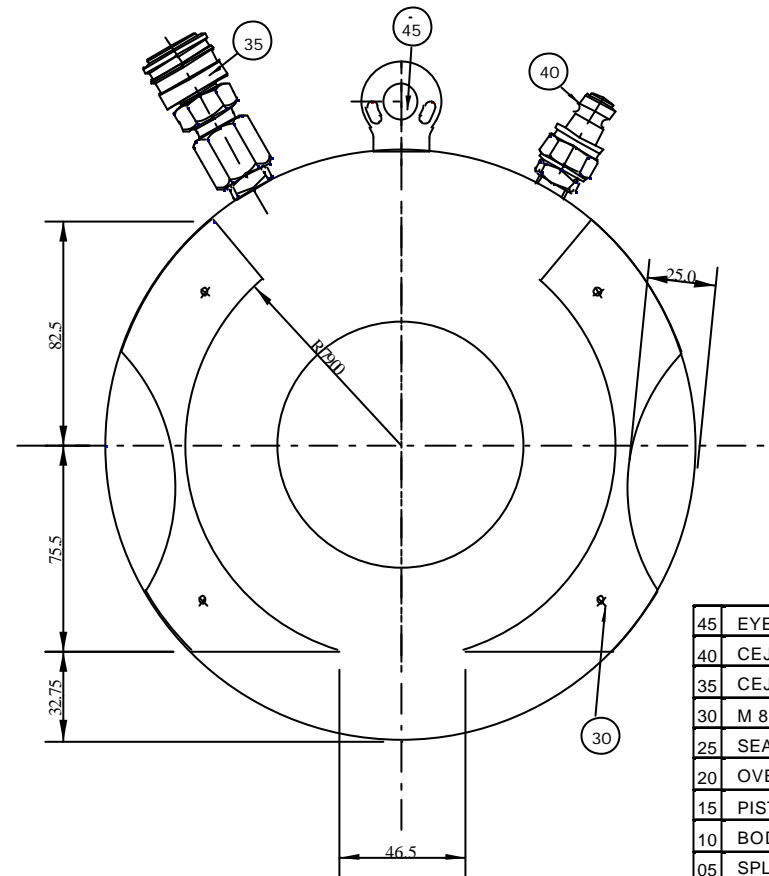
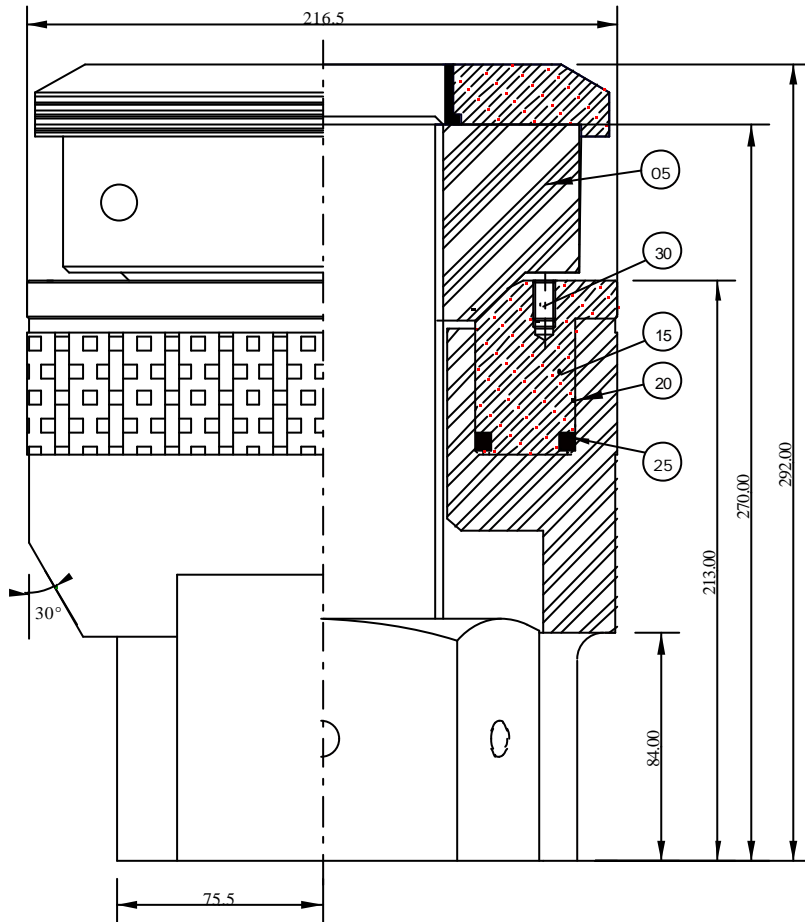


DRG. No.  
BAH/T5/001

### TECHNICAL DATA

MAXIMUM LOAD	258.505 TONS (2575.748kN)
HYDRAULIC PRESSURE AREA	26.623" <sup>2</sup> (17176.095mm) <sup>2</sup>
MAXIMUM WORKING PRESSURE	21750 PSI (1500 BAR)
MAXIMUM PISTON STROKE	1.181 In (30mm)
BOLT SIZES	3" - 3 1/2" (M76 - M90)



45	EYE BOLT
40	CEJN 116 SERIES HYD NIPPLE
35	CEJN 116 SERIES HYD COUPLING
30	M 8 x 15 LG SLOT HD SET SCR
25	SEAL
20	OVERSTROKE INDICATOR
15	PISTON
10	BODY
05	SPLIT NUT ASSY
#	DESCRIPTION

**B & A HYDRAULICS LTD**

THIS DRAWING AND ALL INFORMATION CONTAINED WITHIN IT, IS THE PROPERTY OF B & A HYDRAULICS LTD AND MUST NOT BE REPRODUCED OR COPIED WITHOUT EXPRESSED PERMISSION FROM B & A HYDRAULICS LTD

TITLE

TITON T5  
SUBSEA BOLT TENSIONER

SCALE	N/A	CAD DRAWING DO NOT SCALE	
DRAWN	M.J.		
CHECKED	M.H.		
DATE	27/05/99		
DRG. NO.	BAH/T5/001	REV	01